

Cite this: *Chem. Sci.*, 2021, 12, 10802

All publication charges for this article have been paid for by the Royal Society of Chemistry

Received 1st April 2021

Accepted 9th July 2021

DOI: 10.1039/d1sc01895g

rsc.li/chemical-science

Predicting chemical shifts with graph neural networks†

Ziyue Yang,^{ID}* Maghesree Chakraborty^{ID} and Andrew D. White^{ID}*

Inferring molecular structure from Nuclear Magnetic Resonance (NMR) measurements requires an accurate forward model that can predict chemical shifts from 3D structure. Current forward models are limited to specific molecules like proteins and state-of-the-art models are not differentiable. Thus they cannot be used with gradient methods like biased molecular dynamics. Here we use graph neural networks (GNNs) for NMR chemical shift prediction. Our GNN can model chemical shifts accurately and capture important phenomena like hydrogen bonding induced downfield shift between multiple proteins, secondary structure effects, and predict shifts of organic molecules. Previous empirical NMR models of protein NMR have relied on careful feature engineering with domain expertise. These GNNs are trained from data alone with no feature engineering yet are as accurate and can work on arbitrary molecular structures. The models are also efficient, able to compute one million chemical shifts in about 5 seconds. This work enables a new category of NMR models that have multiple interacting types of macromolecules.

Introduction

NMR chemical shifts of a molecule provide detailed structural information without the sample preparation requirements of X-ray crystallography.¹ This means that NMR can provide detail at room temperature and reasonable concentrations, in a physiologically relevant ensemble of conformations and even *in situ*.^{2,3} Thus there is continued interest in methods to resolve protein structure from NMR. A key step in this process is being able to predict the NMR chemical shifts from molecular structure in a forward model. A forward model is used to infer the ensemble of structures that contribute towards the experimentally observed NMR chemical shifts. In this work, we find that graph neural networks (GNNs) have good properties as a forward model and expand the types of molecular structures that can be resolved. The process of inferring the conformational ensemble with the forward model can be done *via* experiment directed simulation,^{4,5} metadynamics meta-inference,⁶ targeted metadynamics,^{7,8} Monte Carlo/optimization,^{9,10} biasing with restraints,^{11,12} Bayesian ensemble refinement,¹³ or other simulation-based inference methods.^{14–16} A direct method like a generative model that outputs structure directly would be preferred,^{17,18} but a forward model that can connect the chemical shift to structure would still be part of this training.

An ideal NMR chemical shift predictor should be translationally and rotationally invariant, be sensitive to both chemically bonded and non-bonded interactions, be able to handle thousands of atoms, predict shifts for multiple atom types, and be differentiable which is required for most of the inference methods mentioned above. There are two broad classes of deep learning architectures that might satisfy these requirements: 3D point cloud neural networks methods that have these equivariances built-in,^{19,20} GNNs.^{21–23}† The conceptual difference between these two approaches is that the 3D point cloud networks first build the local environment of each atom to compute atom features and then operate and pool the atom features without considering the molecular graph, whereas the graph neural networks compute atom features using the molecular graph at each layer. Here we use graph neural networks for two reasons. The first is their flexibility of how molecular graphs can be specified: with or without distances, with or without covalent bonds, and as a sparse graph. Secondly, our goal is to apply this model in molecular simulation, where the sparse molecular graph (*i.e.*, a neighbor list) is available as input.

GNNs are now a common approach for deep learning with molecules due to their intuitive connection to molecular graphs and good performance.²⁴ Early examples of graph neural networks can be found in Sperduti and Starita,²⁵ Scarselli *et al.*,²⁶ Gori *et al.*²⁷ and recent surveys can be found in Bronstein *et al.*,²¹ Dwivedi *et al.*,²² Wu *et al.*,²⁸ Battaglia *et al.*²⁹ The unifying idea of a “graph” neural network is that it takes a graph as input and its output is permutation equivariant. Namely, if you swap two nodes in the input graph, the predicted node labels will

Department of Chemical Engineering, University of Rochester, Rochester, NY, USA.
E-mail: andrew.white@rochester.edu

† Electronic supplementary information (ESI) available. See DOI: 10.1039/d1sc01895g



swap. In most circumstances, outputs of GNNs are node labels, edge labels, or graph labels. Battaglia *et al.*²⁹ proposed a unifying notation that encompasses all graph neural networks as a series of nodes, edges, and graph feature operations. Unlike convolutional layers in traditional deep learning,³⁰ there are still numerous competing ideas about GNNs. Wu *et al.*²⁸ tested about 20 GNN across seven tasks, including chemistry datasets and found no consistently best type. They did find that message-passing methods³¹ worked well with other deep-learning layers and building blocks.

GNNs are being widely applied in chemistry, especially in quantum machine learning.^{24,31–33} In this work, we have chosen message passing GNNs due to their similarity to other deep learning layers,²⁸ simplicity, and good performance.^{24,28} Our models take the molecular graph as input where the features are the atom identities and the edges are feature vectors encoding the edge type (covalent bond or nearby neighbor) and distance. The output is the predicted NMR chemical shift for C, N, or H atoms. This approach is sometimes referred to as *enn-s2s*.^{23,34} Our model is trained with three datasets: the RefDB dataset of cross-referenced protein structures with NMR chemical shifts,³⁵ the SHIFTX dataset,³⁶ and a database of organic molecules.³⁷

There are numerous existing NMR chemical shift prediction models. We first review those which are for protein structures. ProShift is a dense neural network with one hidden layer that uses 350 expert chosen input features like electronegativity or dihedral angle with neighbors.³⁸ SPARTA+ uses dense neural networks with 113 expert-chosen input features.³⁹ ShiftX+ uses an ensemble approach with boosting and uses 97 expert-chosen input features.³⁶ ShiftX2 combines ShiftX+ with homology data with a database of known proteins with chemical shift. Note that ProShift, SPARTA+, ShiftX+ and ShiftX2 are not differentiable with respect to atom positions due to the use of input features and homology data. They are also restricted to proteins due to the use of protein-specific features that are not defined for general molecules. CamShift uses a polynomial expansion of the pair-wise distances between an atom and its neighbors to approximate the NMR chemical shift⁴⁰ and thus is differentiable. This has made it a popular choice^{41–43} and it is implemented in the PLUMED plugin.⁴⁴ However, CamShift does not treat side-chains and is insensitive to effects like hydrogen bonding. Of these select methods discussed, ShiftX2 is typically viewed as most accurate and CamShift as the most useful for use in inferring protein structure in a molecular simulation. Our goal is to combine the high-accuracy approach of methods like ShiftX2 with the differentiable nature of CamShift. Furthermore, our approach does not require hand-engineered features and instead uses only the elements of the atoms and distances as input. This enables it to be used on both ligands and proteins.

Outside of protein structure, NMR prediction is a classic machine learning problem in chemistry. Paruzzo *et al.*⁴⁵ developed a Gaussian process regression framework for prediction of NMR chemical shifts for solids. They used smooth overlap of atomic positions (SOAP) kernel to represent the molecular structural environment. Liu *et al.*⁴⁶ used convolutional neural network (CNN) for chemical shift prediction for atoms in

molecular crystals. They utilize an atom-centered Gaussian density model for the 3D data representation of a molecule. Rupp *et al.*⁴⁷ used kernel learning methods to predict chemical shifts from a small molecule training set with DFT shifts. Jonas and Kuhn⁴⁸ used graph convolutional neural network to predict ¹H and ¹³C chemical shifts along with the uncertainties. Gerard *et al.*⁴⁹ used kernel ridge regression with molecular features (*e.g.*, angles) and were able to distinguish 3D conformers. Kang *et al.*⁵⁰ did similar work, again with a GNN and message passing. This is probably the most similar to our message passing GNN, but they considered small molecules and not 3D structure. An NMR scalar couplings prediction Kaggle competition in 2019⁵¹ received 47 800 model entries, among which many top performing approaches utilized message passing GNNs. The data was small organic molecules and so the model tasks was less focused on macromolecules and conformational effects than this work. Examples of others' work using message passing GNNs in chemistry include Raza *et al.*⁵² who predicted partial charges of metal organic frameworks, the original message passing paper by Gilmer *et al.*³¹ which predicted energies of molecules, and St. John *et al.*⁵³ who predicted bond dissociation energies. There are also first-principles methods for computing NMR chemical shifts, however we do not compare with these since their computational speed and accuracy are not comparable with empirical methods.^{54–56}

Model

Our GNN consists of 3 parts: (i) a dense network $\mathcal{F}(\mathbf{E}^0) = \mathbf{E}$ whose input is a rank 3 (omitting batch rank) edge tensor \mathbf{E}^0 with shape atom number \times neighbor number \times edge embedding dimension and output \mathbf{E} is a rank 3 tensor with shape atom number \times neighbor number \times edge feature dimension; (ii) a message passing neural network $\mathcal{G}(\mathbf{V}^0, \mathbf{E})$ whose input is a rank 2 tensor \mathbf{V}^0 with shape atom number \times node feature dimension and \mathbf{E} . Its output is a rank 2 tensor \mathbf{V}^K with the same shape as \mathbf{V}^0 ; (iii) a dense network $\mathcal{H}(\mathbf{V}^K)$ whose output is the chemical shifts. The architecture is shown in Fig. 1. Hyperparameters were optimized on a 20/80 validation/train split of the ShiftX training dataset. The hyperparameters were layer number (1–6 explored), node/edge feature dimensions (16–256, 1–32 respectively), L2 regularization,³⁰ dropout,⁵⁷ residue,⁵⁸ and the use of Schütt *et al.*²³ continuous radial basis convolutions on distance (or distance binning), choice of loss, and the use of non-linear activation in final layers. L2 regularization and dropout were found to be comparable to early-stopping on validation, so early-stop was used instead. Model training was found to diverge without residue connections, which others have seen.⁵⁹ Final layer numbers are $K = 4$, $L = 3$, $J = 3$. The neighbor ($\mathcal{F}(\mathbf{E}^0)$) feature dimension is 4 and atom feature dimension is 256. Embeddings are used for inputs. Edges use a 1D embedding for type and distance was tiled 31 times to make a 32 size input. Binning these distances seemed to have negligible affect on performance. The atom element identities were converted to a tensor with 256 dimension embedding look-up.



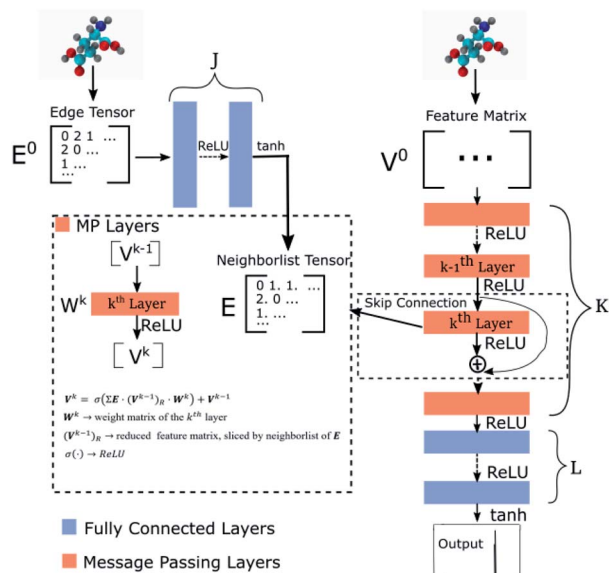


Fig. 1 Graph neural network architecture. \mathbf{E}^0 is the input molecular graph edge features which is inverse distance and chemical bond type (covalent or non-bonded). \mathbf{E} is the output neighbor features tensor used for MP layers. \mathbf{V}^0 is the input feature matrix, consisting only of element types. MP layers have residue connections which are defined in eqn (3). There are K MP layers and L output FC layers. Output is passed through eqn (4) to account for element NMR differences.

$\mathcal{F}(\mathbf{E}^0) = \mathbf{E}$ uses ReLU activation⁶⁰ except in the last layer, where tanh is used. We use the general graph neural network equations from Battaglia *et al.*²⁹ to define our message passing update function $\mathcal{G}^k(\mathbf{V}^{k-1}, \mathbf{E}) = \mathbf{V}^k$, where k indicates the k th MP layer. We first compute an intermediate edge message based on the edge feature vector and node feature vector of the sender (ϕ^e):

$$\mathbf{e}'_{sij} = \mathbf{e}_{sij} \mathbf{W}^k \mathbf{v}_{sij}^{k-1} \quad (1)$$

where \mathbf{v}_{sij} is the node feature vector of the j th neighbor of node i , \mathbf{e}_{sij} is the edge feature vector of the edge between node i and its j th neighbor. s_i means message senders to node i . \mathbf{W}^k is the weight matrix in the k th MP layer. The edge aggregation function $\rho^{e \rightarrow v}$ defines how to aggregate the edges whose receiver is node i :

$$\bar{\mathbf{e}}'_i = \sum_j \mathbf{e}'_{sij} \quad (2)$$

The node update function ϕ^v gives the new output feature vectors using the aggregated message from eqn (2)

$$\mathbf{v}_i^k = \sigma(\bar{\mathbf{e}}'_i) + \mathbf{v}_i^{k-1} \quad (3)$$

where σ is the ReLU activation function. The addition of \mathbf{v}_i is a residue connection. \mathbf{v}'_i defines the new node features which are the output of the message passing layers. Our choice of message passing and lack of node update function (*e.g.*, GRUs in Gilmer *et al.*³¹) makes it one of the simplest message passing variants.

$\mathcal{H}(\mathbf{V}^K)$ uses a tanh in the penultimate layer and the last layer used linear activation and output dimension Z . Z is the number of unique elements in the dataset. Both \mathcal{F} and \mathcal{H} have bias.

Output chemical shifts $\vec{\delta}$ are computed as

$$\vec{\delta} = \mathcal{H}(\mathbf{V}^K) 1_Z(\mathbf{V}^0) \vec{s} + \vec{\mu} \quad (4)$$

where $1_Z(\mathbf{V}^0)$ is a one-hot indicator for atom element with Z columns, \vec{s} , $\vec{\mu}$ are Z pre-computed standard deviation and means of the refDB chemical shifts for each element. This chosen done to make labels be approximately from -1 to 1 for training. This also has the effect of making any chemical shift for a non-trained element (*e.g.*, N) be 0 .

The loss function combined correlation and root mean squared deviation (RMSD):

$$L = \frac{\gamma}{N} \sum (y_i - \hat{y}_i)^2 + 1 - \frac{\text{Cov}(y, \hat{y})}{\sigma_y, \sigma_{\hat{y}}} \quad (5)$$

where $\gamma = 0.001$ for models trained on H only and 0.01 for models trained on all data. Training on correlation in addition to RMSD was found to improve model correlation. The $+1$ is to prevent loss from being negative and has no effect on gradients.

Methods

Data preparation

Our model was trained with three datasets. The first is a paired dataset of 2405 proteins with both X-ray resolved crystal structures and measured NMR chemical shifts created by Zhang *et al.*³⁵ This was segmented into a fragment dataset of 131 015 256 atom fragments with approximately 1.25 million NMR chemical shifts. To prepare the fragments, each residue in each protein was converted into a fragment. All atoms in prior and subsequent residues were included along with residues which had an atom spatially close to the center residue, but their labels (chemical shifts) were not included. Residue i is close to residue j if an atom from residue i is one of the 16 closest non-bonded atoms of an atom in residue j (*i.e.*, they share a neighbor). We did not use distance cutoffs because neighbor lists are used in subsequent stages and if an atom is not on the neighbor list, it need not be included in the fragment. Additional preprocessing was omitting fragments with missing residues, fixing missing atoms, removing solvent/heteroatoms, ensuring the NMR chemical shifts sequenced aligned with the X-ray structures, and matching chains. This was done with PDBFixer, a part of the OpenMM framework.⁶¹ About 5% of residues were excluded due to these constraints and 0.93% were excluded because the resulting fragments could not fit into the 256 atom fragment. Some X-ray resolved crystal structures have multiple possible structures. We randomly sampled 3 of these (with replacement) so that some fragments may be duplicated. The number of fragments including these possible duplicates is 393 045. This dataset will be called RefDB dataset.



The second dataset was prepared identically and contains 197 in the training and 62 proteins in test. It is the SHIFTX dataset and contains 21 878 fragments for training.³⁶ This dataset is higher-quality (see training curves results) due to careful processing by Han *et al.*³⁶ and does not have multiple possible structures. The SHIFTX test dataset of 62 proteins (7494 fragments) was used for calculation of all test data and was not included in training. These PDB IDs were also removed from the RefDB dataset so that they did not inadvertently enter training. These protein datasets contain C, N and H chemical shifts.

The third dataset was 369 “metabolites” (biologically relevant organic molecules) from the human metabolome 4.0 database.³⁷ These were converted into 3D conformers with RDKit using the method of Riniker and Landrum.⁶² Here, each molecule is a fragment and no segmenting of molecules was done. This is referred to as the metabolome dataset.

Each molecular fragment is 256 atoms represented as integers indicating element and each atom has up to 16 edges that connect it to both spatial and covalent neighbors. The edges contain two numbers: an encoding of the type of edge (covalent or spatial) and the distance. These two items encode the molecular graph. An example of a fragment from RefDB dataset is shown in Fig. 2. This approach of using covalent bonds and spatial neighbors is somewhat analogous to attention, which is an open area of research in GNNs because its effect is not always positive.⁶³

Training

Training was done in the TensorFlow framework.⁶⁴ Variables were initialized with the Glorot initializer⁶⁵ and optimized with Adam optimizer⁶⁶ with a learning rate schedule of $[10^{-3}, 10^{-3}, 10^{-4}, 10^{-5}|10^{-4}, 10^{-5}, 10^{-5}|10^{-5}]$ where | indicates a switch to a new dataset, except the last which was joint training (see below). Early stopping with patience 5 was done for training. The first dataset was trained with 5 epochs, the second with 50, and the third was combined with the second for final training

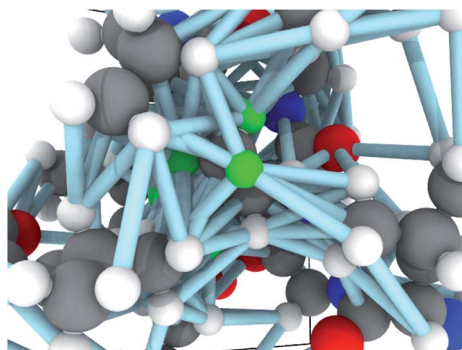


Fig. 2 An example graph used as input to the GNN. The atoms in greens will have their chemical shifts predicted and are connected to neighboring atoms by edges, which includes both bonded and non-bonded edges. The edges are encoded as feature vectors which contains both an embedding representing the type of edge (*e.g.*, covalent) and distance.

again with 50 epochs. The second and third dataset when combined have large class imbalance so rejection sampling was used at the residue level where metabolites were counted as a residue. Therefore, each amino acid and metabolites were seen with equal probability. Each epoch was one complete iteration through the dataset. Batch size was 16 fragments (16×256 atoms). Training and inference were found to take about 0.0015 seconds per fragment ($5.7 \mu\text{s}$ per shift) with the full model on a single Tesla V100 GPU. Timing was averaged on the SHIFTX dataset (21 878 fragments) with loading times excluded.

GNN results

Unless indicated, models were trained only on H chemical shifts for assessing features and training curves. Training on all types requires the metabolome dataset and more complex joint training with rejection sampling. A log–log training curve is shown in Fig. 3 which shows H^{α} accuracy on the SHIFTX test dataset as a function of amount of training data. 100% here means all training data excluding validation. The SHIFTX dataset is about one tenth the size of RefDB dataset but can provide nearly the same accuracy as shown (0.29 vs. 0.26 RMSD). The RefDB dataset and SHIFTX dataset contain the same proteins, but the SHIFTX dataset are more carefully processed. This shows more careful processing of data is more important than number of structures.

The final model performance with all training data is shown in Table 1. A complete breakdown per amino acid and atom name for all models is given in ESI† Comparisons were done using the SHIFTX+ webserver[§] and the latest implementation of CS2Backbone in Plumed.⁴⁴ We also include the reported performance of SHIFTX+ on their website that had better performance, which could be because in our training and comparisons we did not set pH and temperatures and instead used pH = 5, temperature = 298 K (default for SHIFTX+ model). Our rationale for this decision is that we wanted a model whose input is only molecular structure, and not experimental details such as buffer, pH, temperature *etc.* Thus we compare to other models with the same restriction. Overall, both the models (H-

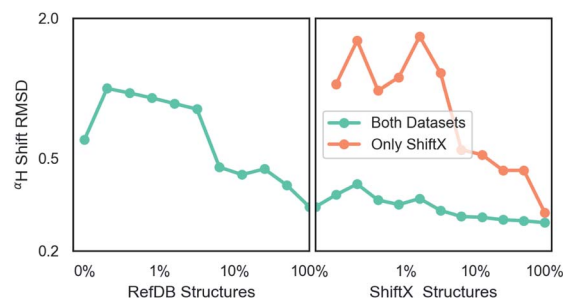


Fig. 3 A log–log plot of training root mean squared deviation of labels with model-predicted chemical shift of H^{α} as a function of elements in dataset. 100% means all data excluding validation and test data is provided. The number of RefDB dataset examples is 131 015 (716 164 shifts) and SHIFTX dataset is 21 878 examples (88 392 shifts).



Table 1 A comparison of the GNN presented here, other similar NMR models, and how model size affects performance

	H_{RMSD}	H_r	H_{RMSD}^{α}	H_r^{α}	# Para
Label variance	0.176	0.965	0.138	0.967	
Model (H)	0.459	0.781	0.264	0.878	1 185 437
Model (all)	0.527	0.718	0.293	0.844	1 185 437
Medium	0.511	0.712	0.290	0.848	297 181
Small	0.501	0.726	0.288	0.849	42 123
No RefDB data	0.514	0.711	0.306	0.838	1 185 437
No non-linearity	0.594	0.580	0.338	0.802	1 185 437
Weighted	0.471	0.766	0.274	0.865	1 185 437
SHIFTX+	0.455	0.787	0.248	0.890	
SHIFTX+ ^a	0.378	0.836	0.197	0.932	
UCBShiftX	0.695	0.436	0.474	0.595	
CS2Backbone	0.716	0.418	0.417	0.708	

^a Reported by SHIFTX+ developers, which includes temperature and pH effects. All others were computed independently in this work.

shift only and all elements) have comparable performance as the state-of-the-art methods. The advantage of our GNN based approach is its efficiency and its applicability to any input molecule type. Table 1 also shows the effect of changing parameter number. There seems to be a sharp transition at the million parameters, meaning models that are much smaller can be used for intermediate accuracy. Some of the major choices of architecture design are also shown: including using dropout (in \mathcal{F} , \mathcal{G} , \mathcal{H}), example weighting by class (amino acid), and without non-linear activation. The label variance is computed by comparing repeat measurements of the same protein structure in the RefDB dataset and should be taken as the upper-limit beyond which experimental error is more important. This non-linear scaling of accuracy with parameter number has been previously observed in GNNs.⁶⁷

Fig. 4 shows the effect of input features on the model. Good model performance is observed even when the input had no

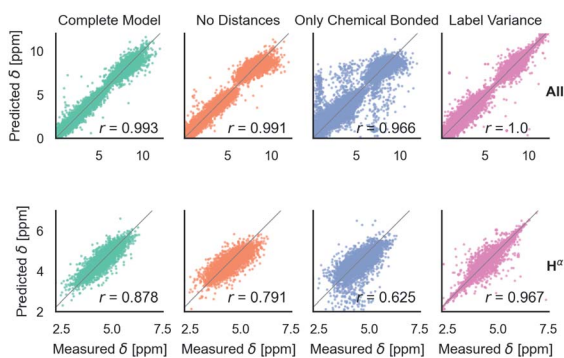


Fig. 4 Parity plots comparing edge features in the GNN. No distances means that non-bonded neighbors are included, but with no distances. Only chemical bonded means distance is included but only neighbors directly covalently bonded with an atom are included. Label variance is the variation between repeat measured NMR chemical shifts in the RefDB dataset³⁵ and should be taken as the upper-limit beyond which experimental errors are more significant than model fit. 32 520 points are displayed in the top row, with most points lying on the diagonal. 5031 are shown in the bottom row. r is correlation coefficient, so for example $r = 0.966$ corresponds to an $R^2 = 0.933$.

distance information and only indicated if atoms are covalently bonded or are non-bonded spatial adjacent neighbors. Knowing the distance provides a small improvement in accuracy. Knowing which atoms are spatially near provides a larger improvement, as shown in the only chemical bonded model. None of the models are close to the label variance, which is the upper-bound of what is possible.

Multitype model

After training on all element types and with metabolome dataset, model accuracy decreased slightly (Table 1). However, the model has the desired features as shown in Fig. 5. It is able to predict C, N, and H chemical shifts with good correlation and good RMSDs (N: 2.982, C: 1.652, 0.368). The correlation on the important H^{α} is 0.844 vs. 0.878 in the H model. Including metabolome dataset into training gives a 0.872 correlation on the withheld 20% test (74 molecules). No validation was used for this data because hyperparameters were not tuned. Training on only metabolome dataset gives 0.92 correlation on withheld data and could be taken as an approximate upper-bound because the ratio of trainable parameters (1 million) to data (369) is extreme.

Fig. 6 shows phenomenological validation of the GNN model on two untrained properties: sensitivity of chemical shifts to secondary structure and hydrogen bonding. The left panel shows the average predicted chemical shifts of each amino acid and secondary structure combination. As expected based on model performance, it does well at predicting the effect of secondary structure on chemical shift. Disagreement is seen on less frequently observed combinations like cysteine β -sheets and tryptophan. Most comparable models like ProShift or ShiftX^{36,38,39} have secondary structure (or dihedral angles) as inputs for computing chemical shifts. The end-to-end training of the GNN captures this effect. The results are consistent with previous studies^{68–70} which showed downfield shift of H^{α} δ for β -sheet and upfield shift for α -helix. The right panel shows the effect of breaking a salt bridge (ionic hydrogen bond) between an arginine and glutamic acid on the H^{ϵ} chemical shift. This atom was chosen because it is observable in solution NMR. White *et al.*⁷¹ computed the chemical shift change to be 0.26 $\Delta\delta$ ppm for breaking this hydrogen bond based on single-amino acid mixture NMR. The molecular graph was fixed here to avoid

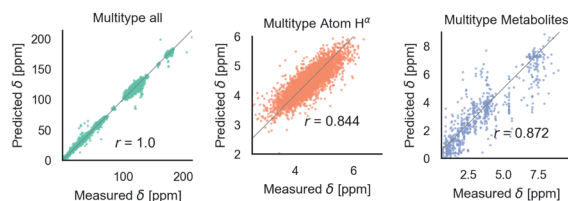


Fig. 5 Parity plots for the multitype model, which can treat C, N, H atoms and organic molecules. Multitype all is the combined plot for C, N, and H in test proteins and includes 65 163 points. Multitype atom H^{α} shows the performance of this model on the important H^{α} atom type. Metabolites is the model performance on metabolites.³⁷ Correlation coefficients are rounded to three digits of precision.



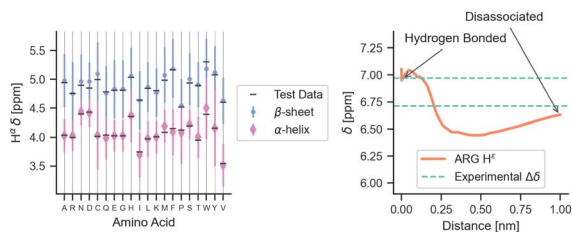


Fig. 6 The model performance on secondary structure and intermolecular interactions. Left panel shows the effects of secondary structure on $H^\alpha \delta$. Each colored point is the average predicted across test data for amino acid/secondary structure combination. Vertical lines indicate uncertainty. Horizontal line indicates true average from data. Right panel shows the downfield shift of protons participating in a salt bridge (ionic hydrogen bond) between an arginine and glutamic amino acid on separate chains. Experimental data is from White *et al.*⁷¹ indicates relative difference in chemical shift of the NH^ϵ proton between an amidated/acetylated ARG – GLU mixed solution vs. amidated/acetylated ARG alone.

effects of neighbor lists changing. The model gets a similar upfield shift and thus shows it could be used to model protein–protein interfaces where side-chain–side-chain interactions are critical. It is also consistent with previous reports^{72,73} where an increasing strength of hydrogen bond was associated with greater deshielding and subsequent downfield shift of $H^\alpha \delta$.

Discussion

The GNN is able to compute chemical shifts for arbitrary molecules, is sensitive to both covalent and non-bonded interactions, can parse a million chemical shifts in 5 seconds, and is differentiable with respect to pairwise distances. Model accuracy is comparable to state-of-the-art performance. There is a trade-off between model accuracy and model capacity (number of elements able to predict), leaving an unanswered question of if more trainable parameters are required to diminish the gap. Training is complex since there are three datasets and they are of varying quality and sizes. Effort should be invested in better quality protein structure data. Finally, there is a large number of message passing choices and more exploration could be done.

Conclusion

This work presents a new class of chemical shift predictors that requires no *a priori* knowledge about what features affect chemical shift. The GNN input is only the underlying molecular graph and elements and requires no details about amino acids, protein secondary structure or other features. The GNN is close to state of the art in performance and able to take arbitrary input molecules, including organic molecules. The model is highly-efficient and differentiable, making it possible to use in molecular simulation. Important physical properties also arise purely from training: β -sheets formation causes downfield shifts and breaking salt bridges causes upfield shifts. This work opens a new direction for connecting NMR experiments to molecular structure *via* deep learning.

All code available at <https://github.com/whitead/graphnmr>.

Data availability

Data is available at <https://github.com/ur-whitelab/nmrdata>.

Author contributions

Z. Y. and A. D. W. designed research; Z. Y. and A. D. W. performed research; Z. Y., M. C. and A. D. W. analyzed the data; Z. Y., M. C. and A. D. W. wrote the paper.

Conflicts of interest

There are no conflicts to declare.

Acknowledgements

This material is based upon work supported by the National Science Foundation under Grant No. (1764415 and 1751471). Research reported in this work was supported by the National Institute of General Medical Sciences of the National Institutes of Health under award number R35GM137966. We thank the Center for Integrated Research Computing (CIRC) at the University of Rochester for providing computational resources and technical support.

Notes and references

‡ We do not consider featurization like computing dihedral angles or electro-negativity of atoms because they cannot generalize to arbitrary structures and derivatives do not always exist.

§ <http://shiftx2.ca/>.

- 1 J. Cavanagh, *Protein NMR Spectroscopy: Principles and Practice*, Elsevier, 1995.
- 2 B. Brutscher, I. C. Felli, S. Gil-Caballero, T. Hošek, R. Kümmerle, A. Piai, R. Pierattelli and Z. Sólyom, *Adv. Exp. Med. Biol.*, 2015, **870**, 49–122.
- 3 P. Selenko, D. P. Frueh, S. J. Elsaesser, W. Haas, S. P. Gygi and G. Wagner, *Nat. Struct. Mol. Biol.*, 2008, **15**, 321–329.
- 4 A. D. White and G. A. Voth, *J. Chem. Theory Comput.*, 2014, **10**, 3023–3030.
- 5 D. B. Amirkulova and A. D. White, *Mol. Simul.*, 2019, **45**, 1285–1294.
- 6 T. Löhr, A. Jussupow and C. Camilloni, *J. Chem. Phys.*, 2017, **146**, 165102.
- 7 A. D. White, J. F. Dama and G. A. Voth, *J. Chem. Theory Comput.*, 2015, **11**, 2451–2460.
- 8 F. Marinelli and J. D. Faraldo-Gómez, *Biophys. J.*, 2015, **108**, 2779–2782.
- 9 O. F. Lange, P. Rossi, N. G. Sgourakis, Y. Song, H. W. Lee, J. M. Aramini, A. Ertekin, R. Xiao, T. B. Acton, G. T. Montelione and D. Baker, *Proc. Natl. Acad. Sci. U. S. A.*, 2012, **109**, 10873–10878.
- 10 H. R. Eghbalnia, L. Wang, A. Bahrami, A. Assadi and J. L. Markley, *J. Biomol. NMR*, 2005, **32**, 71–81.



- 11 K. Lindorff-Larsen, R. B. Best, M. A. DePristo, C. M. Dobson and M. Vendruscolo, *Nature*, 2005, **433**, 128–132.
- 12 J. Dolenc, J. H. Missimer, M. O. Steinmetz and W. F. Van Gunsteren, *J. Biomol. NMR*, 2010, **47**, 221–235.
- 13 G. Hummer and J. Köfinger, *J. Chem. Phys.*, 2015, **143**, 243150.
- 14 K. Cranmer, J. Brehmer and G. Louppe, *Proc. Natl. Acad. Sci. U. S. A.*, 2020, **117**(48), 30055–30062.
- 15 M. Bonomi, G. T. Heller, C. Camilloni and M. Vendruscolo, *Curr. Opin. Struct. Biol.*, 2017, **42**, 106–116.
- 16 W. Boomsma, J. Ferkinghoff-Borg and K. Lindorff-Larsen, *PLoS Comput. Biol.*, 2014, **10**, e1003406.
- 17 W. Wang and R. Gómez-Bombarelli, *npj Comput. Mater.*, 2019, **5**, 125.
- 18 F. Noé, S. Olsson, J. Köhler and H. Wu, *Science*, 2019, **365**(6457).
- 19 N. Thomas, T. Smidt, S. Kearnes, L. Yang, L. Li, K. Kohlhoff and P. Riley, 2018, arXiv:1802.08219.
- 20 B. Anderson, T.-S. Hy and R. Kondor, 2019, arXiv:1906.04015.
- 21 M. M. Bronstein, J. Bruna, Y. Lecun, A. Szlam and P. Vandergheynst, *IEEE Signal Process. Mag.*, 2017, **34**, 18–42.
- 22 V. P. Dwivedi, C. K. Joshi, T. Laurent, Y. Bengio and X. Bresson, 2020, arXiv:2003.00982.
- 23 K. T. Schütt, F. Arbabzadah, S. Chmiela, K. R. Müller and A. Tkatchenko, *Nat. Commun.*, 2017, **8**, 6–13.
- 24 Z. Wu, B. Ramsundar, E. N. Feinberg, J. Gomes, C. Geniesse, A. S. Pappu, K. Leswing and V. Pande, *Chem. Sci.*, 2018, **9**, 513–530.
- 25 A. Sperduti and A. Starita, *IEEE Trans. Neural Netw.*, 1997, **8**, 714–735.
- 26 F. Scarselli, A. C. Tsoi, M. Gori and M. Hagenbuchner, *Lect. Notes Comput. Sci. (including Subser. Lect. Notes Artif. Intell. Lect. Notes Bioinformatics)*, 2004, vol. 3138, pp. 42–56.
- 27 M. Gori, G. Monfardini and F. Scarselli, *Proc. Int. Jt. Conf. Neural Networks*, 2005, **2**, 729–734.
- 28 Z. Wu, S. Pan, F. Chen, G. Long, C. Zhang and P. S. Yu, *IEEE Trans. Neural Netw. Learn. Syst.*, 2020, 1–21.
- 29 P. W. Battaglia, J. B. Hamrick, V. Bapst, A. Sanchez-Gonzalez, V. Zambaldi, M. Malinowski, A. Tacchetti, D. Raposo, A. Santoro, R. Faulkner, C. Gulcehre, F. Song, A. Ballard, J. Gilmer, G. Dahl, A. Vaswani, K. Allen, C. Nash, V. Langston, C. Dyer, N. Heess, D. Wierstra, P. Kohli, M. Botvinick, O. Vinyals, Y. Li and R. Pascanu, arXiv Prepr. arXiv1806.01261, 2018.
- 30 I. Goodfellow, Y. Bengio and A. Courville, *Deep Learning*, MIT Press, 2016.
- 31 J. Gilmer, S. S. Schoenholz, P. F. Riley, O. Vinyals and G. E. Dahl, *34th Int. Conf. Mach. Learn. ICML 2017*, Sydney, NSW, Australia, 2017, pp. 2053–2070.
- 32 O. A. von Lilienfeld, K. R. Müller and A. Tkatchenko, *Nat. Rev. Chem.*, 2020, **4**, 347–358.
- 33 O. T. Unke and M. Meuwly, *J. Chem. Theory Comput.*, 2019, **15**, 3678–3693.
- 34 P. B. Jørgensen, K. W. Jacobsen and M. N. Schmidt, *32nd Conf. Neural Inf. Process. Syst.*, 2018.
- 35 H. Zhang, S. Neal and D. S. Wishart, *J. Biomol. NMR*, 2003, **25**, 173–195.
- 36 B. Han, Y. Liu, S. W. Ginzinger and D. S. Wishart, *J. Biomol. NMR*, 2011, **50**, 43–57.
- 37 D. S. Wishart, Y. D. Feunang, A. Marcu, A. C. Guo, K. Liang, R. Vázquez-Fresno, T. Sajed, D. Johnson, C. Li, N. Karu, Z. Sayeeda, E. Lo, N. Assempour, M. Berjanskii, S. Singhal, D. Arndt, Y. Liang, H. Badran, J. Grant, A. Serra-Cayuela, Y. Liu, R. Mandal, V. Neveu, A. Pon, C. Knox, M. Wilson, C. Manach and A. Scalbert, *Nucleic Acids Res.*, 2018, **46**, D608–D617.
- 38 J. Meiler, *J. Biomol. NMR*, 2003, **26**, 25–37.
- 39 Y. Shen and A. Bax, *J. Biomol. NMR*, 2010, **48**, 13–22.
- 40 K. J. Kohlhoff, P. Robustelli, A. Cavalli, X. Salvatella and M. Vendruscolo, *J. Am. Chem. Soc.*, 2009, **131**, 13894–13895.
- 41 D. Granata, C. Camilloni, M. Vendruscolo and A. Laio, *Proc. Natl. Acad. Sci. U. S. A.*, 2013, **110**, 6817–6822.
- 42 P. Robustelli, K. Kohlhoff, A. Cavalli and M. Vendruscolo, *Structure*, 2010, **18**, 923–933.
- 43 D. B. Amirkulova and A. D. White, *J. Theor. Comput. Chem.*, 2018, **17**, 1840007.
- 44 M. Bonomi, G. Bussi, C. Camilloni, G. A. Tribello, P. Banáš, A. Barducci, M. Bernetti, P. G. Bolhuis, S. Bottaro, D. Branduardi and Others, *Nat. Methods*, 2019, **16**, 670–673.
- 45 F. M. Paruzzo, A. Hofstetter, F. Musil, S. De, M. Ceriotti and L. Emsley, *Nat. Commun.*, 2018, **9**, 1–10.
- 46 S. Liu, J. Li, K. C. Bennett, B. Ganoe, T. Stauch, M. Head-Gordon, A. Hexemer, D. Ushizima and T. Head-Gordon, *J. Phys. Chem. Lett.*, 2019, **10**, 4558–4565.
- 47 M. Rupp, R. Ramakrishnan and O. A. von Lilienfeld, *J. Phys. Chem. Lett.*, 2015, **6**, 3309–3313.
- 48 E. Jonas and S. Kuhn, *J. Cheminf.*, 2019, **11**, 1–7.
- 49 W. Gerrard, L. A. Bratholm, M. J. Packer, A. J. Mulholland, D. R. Glowacki and C. P. Butts, *Chem. Sci.*, 2020, **11**, 508–515.
- 50 S. Kang, Y. Kwon, D. Lee and Y.-S. Choi, *J. Chem. Inf. Model.*, 2020, **60**, 3765–3769.
- 51 L. A. Bratholm, W. Gerrard, B. Anderson, S. Bai, S. Choi, L. Dang, P. Hanchar, A. Howard, G. Huard, S. Kim, Z. Kolter, R. Kondor, M. Kornbluth, Y. Lee, Y. Lee, J. P. Mailoa, T. T. Nguyen, M. Popovic, G. Rakocevic, W. Reade, W. Song, L. Stojanovic, E. H. Thiede, N. Tijanic, A. Torrubia, D. Willmott, C. P. Butts, D. R. Glowacki and K. participants, *A community-powered search of machine learning strategy space to find NMR property prediction models*, 2020.
- 52 A. Raza, A. Sturluson, C. M. Simon and X. Fern, *J. Phys. Chem. C*, 2020.
- 53 P. C. St. John, Y. Guan, Y. Kim, S. Kim and R. S. Paton, *Nat. Commun.*, 2020, **11**, 1–12.
- 54 J. R. Yates, C. J. Pickard and F. Mauri, *Phys. Rev. B: Condens. Matter Mater. Phys.*, 2007, **76**, 024401.
- 55 C. J. Pickard and F. Mauri, *Phys. Rev. B: Condens. Matter Mater. Phys.*, 2001, **63**, 2451011–2451013.
- 56 J. A. Vila, Y. A. Arnautova, O. A. Martin and H. A. Scheraga, *Proc. Natl. Acad. Sci. U. S. A.*, 2009, **106**, 16972–16977.
- 57 N. Srivastava, G. Hinton, A. Krizhevsky, I. Sutskever and R. Salakhutdinov, *J. Mach. Learn. Res.*, 2014, **15**, 1929–1958.



- 58 K. He, X. Zhang, S. Ren and J. Sun, *Proc. IEEE Comput. Soc. Conf. Comput. Vis. Pattern Recognit.*, 2016, 770–778.
- 59 G. Li, M. Muller, A. Thabet and B. Ghanem, *Proc. IEEE Int. Conf. Comput. Vis.*, 2019, 9266–9275.
- 60 X. Glorot, A. Bordes and Y. Bengio, *J. Mach. Learn. Res.*, 2011, 315–323.
- 61 P. Eastman, J. Swails, J. D. Chodera, R. T. McGibbon, Y. Zhao, K. A. Beauchamp, L. P. Wang, A. C. Simmonett, M. P. Harrigan, C. D. Stern, R. P. Wiewiora, B. R. Brooks and V. S. Pande, *PLoS Comput. Biol.*, 2017, **13**, e1005659.
- 62 S. Riniker and G. A. Landrum, *J. Chem. Inf. Model.*, 2015, **55**, 2562–2574.
- 63 B. Knyazev, G. W. Taylor and M. R. Amer, *Adv. Neural Inform. Process Syst.*, 2019, 4202–4212.
- 64 M. Abadi, P. Barham, J. Chen, Z. Chen, A. Davis, J. Dean, M. Devin, S. Ghemawat, G. Irving, M. Isard, M. Kudlur, J. Levenberg, R. Monga, S. Moore, D. G. Murray, B. Steiner, P. Tucker, V. Vasudevan, P. Warden, M. Wicke, Y. Yu and X. Zheng, *Proc. 12th USENIX Symp. Oper. Syst. Des. Implementation, OSDI 2016*, 2016, pp. 265–283.
- 65 X. Glorot and Y. Bengio, *J. Mach. Learn. Res.*, 2010, 249–256.
- 66 D. P. Kingma and J. L. Ba 3rd, *Int. Conf. Learn. Represent. ICLR 2015 – Conf. Track Proc.*, 2015.
- 67 A. Loukas, *Int. Conf. Learn. Represent.*, 2019.
- 68 S. P. Mielke and V. V. Krishnan, *Prog. Nucl. Magn. Reson. Spectrosc.*, 2009, **54**, 141–165.
- 69 F. Avbelj, D. Kocjan and R. L. Baldwin, *Proc. Natl. Acad. Sci. U. S. A.*, 2004, **101**, 17394–17397.
- 70 L. Szilágyi and O. Jardetzky, *J. Magn. Reson.*, 1989, **83**, 441–449.
- 71 A. D. White, A. J. Keefe, J. R. Ella-Menye, A. K. Nowinski, Q. Shao, J. Pfaendtner and S. Jiang, *J. Phys. Chem. B*, 2013, **117**, 7254–7259.
- 72 S. P. Mielke and V. Krishnan, *Prog. Nucl. Magn. Reson. Spectrosc.*, 2009, **54**, 141–165.
- 73 A. M. Da Silva, A. Ghosh and P. Chaudhuri, *J. Phys. Chem. A*, 2013, **117**, 10274–10285.

