

PCCP

Accepted Manuscript



This is an *Accepted Manuscript*, which has been through the Royal Society of Chemistry peer review process and has been accepted for publication.

Accepted Manuscripts are published online shortly after acceptance, before technical editing, formatting and proof reading. Using this free service, authors can make their results available to the community, in citable form, before we publish the edited article. We will replace this *Accepted Manuscript* with the edited and formatted *Advance Article* as soon as it is available.

You can find more information about *Accepted Manuscripts* in the [Information for Authors](#).

Please note that technical editing may introduce minor changes to the text and/or graphics, which may alter content. The journal's standard [Terms & Conditions](#) and the [Ethical guidelines](#) still apply. In no event shall the Royal Society of Chemistry be held responsible for any errors or omissions in this *Accepted Manuscript* or any consequences arising from the use of any information it contains.

Physical Chemistry: Chemical Physics

**A Perspective on Chemistry in Transient Plasma from
Broadband Rotational Spectroscopy**

Daniel P. Zaleski, Susanna L. Stephens and Nicholas R. Walker*

School of Chemistry, Bedson Building, Newcastle University, Newcastle upon Tyne, Tyne
and Wear, NE1 7RU, U.K.

*Corresponding author email: nick.walker@newcastle.ac.uk

KEYWORDS: Plasma, rotational spectroscopy, microwave, broadband, chirped-pulse.

ABSTRACT

Broadband rotational spectroscopy provides a new method by which plasma chemistry can be explored. Molecules and complexes form when precursors within an expanding gas sample are allowed to interact with plasma generated by an electrical discharge or laser vaporisation of a solid. It is thus possible to selectively generate specific molecules or complexes for study through a careful choice of appropriate precursors. It is also possible to survey an extensive range of the products formed under a given set of initial conditions in an approach termed “broadband reaction screening”. Broadband rotational spectroscopy provides an opportunity to simultaneously monitor the transitions of many different chemical products and this allows broader details of reaction pathways to be inferred. This Perspective will describe various experimental approaches and review recent works that have applied broadband rotational spectroscopy to study molecules and complexes generated (in whole or in part) through chemistry occurring within transient plasma.

Introduction

The earliest experiments in microwave spectroscopy probed chemical samples under thermal equilibrium and demonstrated the value of pure rotational spectroscopy for the characterisation of molecular structure.^{1,2,3,4,5} The subsequent development of the Balle-Flygare Fourier transform microwave (BF-FTMW) spectrometer⁶ introduced a step-change in the capability of spectrometers operating at microwave frequencies. It became possible to perform precise and selective measurements on weakly-bound and pre-reactive complexes.^{7,8,9} The chirped-pulse FTMW (CP-FTMW) spectrometer constructed by Pate and co-workers¹⁰ represents another major advance in the methods and instrumentation used for microwave spectroscopy as described in a recent review article.¹¹

Researchers are now exploring whether broadband rotational spectroscopy might find wider applications in chemical analysis. For various reasons explained recently, it is likely that general applications of broadband rotational spectroscopy for chemical analysis will be most viable at mm-wave frequencies near 200 GHz.^{12,13,14} However, it is also possible to provide insight into the nature of selected chemical environments through experiments performed at centimetre wavelengths. The low temperatures present in a gas sample undergoing supersonic expansion (~2 K) allow the sensitive detection of many chemical products between 2 and 40 gigahertz in frequency. Many researchers already have access to broadband spectrometers operating within this range.^{15,16,17,18,19} Where these are configured to allow an electrical discharge²⁰ or focussed laser pulse²¹ to interact with the expanding sample, it becomes possible to isolate and observe chemical products generated within the environment of a transient plasma. Aside from the opportunity to study the molecular physics of products generated in this way, experiments expose the environment in plasma to broader characterisation. Details of reaction pathways within plasma can be inferred from observations of the range and characteristics of chemicals that are present. This technique is known as broadband reaction screening, and in many ways is similar in concept to the well-known Urey-Miller “spark” experiments in prebiotic chemistry.^{22,23}

This Perspective will review how broadband rotational spectroscopy has recently been employed to characterise chemical products generated entirely or partially within transient plasma accompanying laser vaporisation of a solid material or electrical discharge through a gas sample. In some cases, experiments were initially motivated by questions in fundamental molecular physics but observations also provided broader insight into chemical reactions within plasma. In other studies, the primary motivation was the characterisation of a wide range of synthetic pathways under specified initial conditions of chemical composition and plasma temperature. Because the samples being studied often contain multiple distinct molecular species (e.g. several rotational conformers and structural isomers), the high spectral resolution of these experiments demonstrate that broadband rotational spectroscopy can provide insight into the nature of extreme chemical environments that is not typically available through other techniques due to spectral overlap. They also provide the opportunity to develop and test computational and other methods for interpreting spectra that may ultimately find broader applications in chemical analysis. Finally, experiments have revealed pathways allowing the generation of molecules that cannot readily be synthesised for spectroscopic study in the laboratory by other methods.

Experimental

Fourier transform microwave (FTMW) spectroscopy employs a sequence of events that comprises a gas pulse, microwave pulse, detection of the spontaneous coherent emission (the free induction decay, or FID) and Fourier transform of the detected radiation. FTMW spectroscopy is physically analogous to FT-NMR spectroscopy but distinct in the sense that it requires interaction of the radiation field with an electric rather than magnetic dipole. The behaviour of the molecular ensemble over time is fundamentally described by the Bloch equations²⁴ that are also used to underpin the physical description of FT-NMR experiments.

Fourier transform microwave spectroscopy became practicable for research in chemistry during the late 1970's and was pioneered by Balle and Flygare [Ref. 6]. Electronics technology

provided digitisers of kilohertz sampling rates which were insufficiently fast to permit FIDs of many gigahertz (i.e. microwave frequencies) to be analysed. Fortunately, heterodyning methods (where the FID is mixed down against a carrier wave) made it possible to view any short section of spectrum (typically less than 1 MHz) within a tuneable range of the spectrometer of 12 GHz. As a consequence of the narrow bandwidth of individual measurements, it was a logical step to enhance the sensitivity of this technique through the inclusion of a tuneable microwave cavity. The Balle-Flygare FTMW spectrometer has since been used widely to characterise molecules and complexes that are isolated at the cold temperatures achieved in supersonically-expanding gas samples. One feature of this spectrometer is the use of a short duration (typically $\sim 1 \mu\text{s}$) microwave pulse from a fixed-frequency source to achieve initial polarisation of the molecular sample. The finite frequency bandwidth of this pulse is determined by the pulse duration as consistent with the Heisenberg uncertainty principle. The bandwidth of an individual measurement thus cannot be changed independent of the duration of the excitation pulse. It is an associated disadvantage that the power of the excitation pulse cannot be optimised for a specific molecule across the full bandwidth of a single measurement.

The general principles of CP-FTMW spectroscopy have been described by Pate and co-workers [Ref. 10]. This method exploits recent advances in technology made by the telecommunications industry. It is now possible to directly digitise FIDs exceeding 1 GHz in frequency. In addition, the transform-limited pulse used to polarise the molecular ensemble in the Balle-Flygare FTMW spectrometer can be replaced by a “chirped” pulse that is rapidly (within $\sim 1 \mu\text{s}$) swept across the entire frequency bandwidth of a measurement. Thus, broadband spectra spanning many gigahertz in frequency can be recorded efficiently in a single measurement. Excitation pulse duration, bandwidth and power are independent variables in CP-FTMW spectroscopy. In general, CP-FTMW spectrometers are constructed with the specific aim of performing broadband measurements and thus do not contain any microwave cavity. The technique requires that the duration of the chirped pulse is significantly shorter than the timescale of the subsequent molecular emission, detected as the free induction decay (FID) of the polarisation, and is typically selected to be $\sim 1 \mu\text{s}$. The linewidth of a single transition is determined by the timescale of the FID which is typically of the order of $20 \mu\text{s}$.

High-power travelling wave tube amplifiers (TWTA) are available and allow molecules to be efficiently polarised and probed across a high bandwidth (~ 10 GHz) in a single measurement. Additional to high bandwidth, a further advantage of CP-FTMW spectroscopy is that the intensities of transitions recorded and displayed by the spectrometer authentically reflect the intrinsic properties of the molecules and sample across the probed bandwidth. The relative intensities of transitions are directly related to relative dipole moment components and transition dipole matrix elements. The value of intensity measurements that correctly reflect the intrinsic properties of the molecules and sample probed is most quickly realised when searching for isotopic species in dense broadband datasets. For example, the spectrum of a species containing one ^{13}C in natural abundance would appear with 1% of the intensity of the normal species containing ^{12}C . Furthermore, having reliable relative intensities allows for the quantitative analysis of samples where multiple species are present.

The procedure used to generate metal-containing molecules for study by CP-FTMW spectroscopy is essentially the same as that previously employed in some Balle-Flygare FTMW spectrometers. A gaseous sample containing a mixture of precursors is pulsed into an evacuated chamber through a nozzle with an orifice diameter of less than 1 mm. The sample undergoes supersonic expansion shortly after passing through the plasma initiated by an electrical discharge or focussed laser pulse. For the purposes of this Perspective, it will be assumed that the latter is focussed onto a solid target from which material is vaporised by the laser pulse. When configured for CP-FTMW spectrometers, electrical discharge and laser vaporisation sources are usually bespoke to meet local requirements and constraints. The former typically presents the advantage of being somewhat easier to design and configure within constraints imposed by the wider operation of the instrument. The latter allows for more consistent reproduction of experimental conditions given that an experiment involves repeating measurements over many averaging cycles. Experiments have shown that vaporisation, heating and ionisation of atoms ejected from a solid by a high energy, focussed laser pulse can occur on a timescale of picoseconds²⁵. Nd:YAG lasers operating on the second or third harmonics (532 or 355 nm respectively) are often used for such experiments and the pulse from such a laser is typically between 5 and 15 nanoseconds in duration. Such a laser pulse thus continues to

interact with species within the nascent plasma subsequent to the initial vaporisation of material from the solid. By definition, plasma contains a highly-excited mixture of atoms, molecules, electrons and photons. The atoms and molecules may be neutral, singly- or multiply-charged. Components of plasma interact to yield chemical products that depend on the reactants and plasma conditions.

Many alternative microwave circuits could be used in CP-FTMW spectroscopy and schemes employed vary between laboratories according to individual needs. During experiments conducted in our group, and following supersonic expansion of the sample prepared as described above, a chirped pulse of microwave radiation spanning 7.0-18.5 GHz induces macroscopic rotational polarisation of molecules within the sample on resonance with molecular rotational transitions. The polarising pulse is prepared by mixing a 12-0.5 GHz chirped pulse from an arbitrary waveform generator (AWG) against the filtered output of a 19 GHz reference supplied by a phase-locked dielectric resonant oscillator (PDRO). The additional unwanted sideband is removed when the excitation pulse passes through a 6.5-18.5 GHz bandpass filter. The microwave pulse is input to a pulsed 300 W TWTA and then transmitted toward the expanding gas jet via a broadband horn antenna whereas the molecular FID is received at a second broadband horn antenna (Figure 1). The resulting FID from 7.0-18.5 GHz is amplified by a low noise amplifier (LNA, 55 dB gain, 2 dB noise figure) and mixed down against the 19 GHz reference frequency before passing through a 12.5 GHz lowpass filter to allow digitisation and processing to be performed between 0.5 and 12.0 GHz on a 25 Gs/s digitiser. The back-end is protected from the high power TWTA by a SPST switch. Measurements are repeated and averaged to improve the signal/noise ratio of observed transitions. Multiple free induction decays are recorded following each sample injection cycle to achieve a reduction in the time necessary to accumulate measurements and hence achieve a reduction in total sample consumption. The accumulated FID's are first co-added in the time domain and then the average is calculated. Finally, the FID is Fourier transformed to obtain the frequency domain spectrum. The digital design has excellent phase stability (necessary for averaging over an extended period) and it is now routine to collect >1M signal acquisitions.^{26,27,28,29} Accurate frequency measurements are obtained by locking to an external reference source accurate to 1 part in 10^{11} .

Propagation of the molecular beam is perpendicular to the orientation of the detecting horn such that each transition is observed as a single peak with full-width at half maximum of FWHM \cong 150 kHz after application of a Kaiser-Bessel digital filter to improve baseline resolution. Detailed specifications of a CP-FTMW spectrometer used for the experiments employing laser vaporisation are provided in Ref. [30]. A description of a CP-FTMW spectrometer configured with an electrical discharge source is available in Ref. [15] and [20].

Results

1. Exploiting Plasma Chemistry to Generate Novel Molecules and Complexes for Study by Broadband Rotational Spectroscopy

Molecules introduced into a plasma environment may undergo extensive fragmentation and/or chemical reaction. It is well known that such processes can provide a convenient method for generating molecules and clusters that are of considerable fundamental interest. Moreover, chemical products formed within plasma can be entrained within a buffer gas, stabilised within the cold environment of a supersonic expansion and thus prepared for interrogation by any of a wide range of spectroscopic techniques. CP-FTMW spectroscopy is a comparatively recent addition to a long list of spectroscopic techniques that have been applied to study molecules and complexes generated in this way.^{31,32,33,34}

Fourier transform microwave spectroscopy (using either BF- or CP-FTMW spectrometers) can generally be performed at high resolution such that transitions are recorded with typical FWHM (full width at half maximum) of less than 150 kHz. This high resolution greatly assists the unambiguous assignment of spectra to carrier molecules and facilitates highly accurate determination of molecular geometries. Many complexes were generated and studied using Balle-Flygare FTMW spectrometers equipped with laser vaporisation or electrical discharge sources before the introduction of CP-FTMW spectroscopy. These experiments permitted new insight into the molecular geometry of neutral, metal-containing molecules.^{35,36,37,38,39} An implication of the narrow (\sim 1 MHz) measurement

bandwidth of a Balle-Flygare FTMW spectrometer is that a researcher must usually select a specific molecule to serve as the target of a study, then aim to predict the transition frequencies of that molecule with reasonable accuracy before starting an experiment. CP-FTMW spectroscopy allows transitions to be simultaneously measured across a greater, typically 12 GHz, bandwidth.

An example of results⁴⁰ that have recently been acquired using a CP-FTMW spectrometer is shown in Figure 2. The gaseous sample prepared in advance of this experiment contains very small amounts of CF₃I, CO as well as argon in high concentration. The mixture is passed over the surface of a silver rod from which metal is vaporised by the focussed pulse from a Nd:YAG laser. Transitions in the resulting spectrum arise from molecules and complexes that may be (i) introduced into the sample prepared initially; (ii) formed within the cold environment of the expanding jet from components of the sample prepared initially or (iii) formed from fragments of precursor molecules that are generated within the plasma that accompanies the laser pulse. Given signals of sufficiently high intensity, performing a measurement with the laser switched off provides an easy check of whether or not a molecule fits into the third of these categories. Where laser- or plasma-induced processes are crucial for the formation of a complex, it will not be observed with the laser switched off. The same on/off test can be performed in experiments that exploit an electrical discharge to learn whether a selected transition is dependent upon chemistry initiated by the discharge.

The most intense transitions in the 12 GHz broadband spectrum of Figure 2, panel (a) are readily assigned to the CF₃I monomer that is abundant in the initially-prepared gas sample. These remain present when the laser is switched off and are observed to be slightly reduced in intensity when the laser is on. Other signals can be attributed to the presence of AgI.⁴¹ Features assigned to silver-containing molecules are observed in pairs owing to the high natural abundances of two isotopes of silver (¹⁰⁷Ag and ¹⁰⁹Ag). Some observed transitions assign to a complex⁴² of CF₃I with CO that forms from the precursors, CF₃I and CO, within the supersonic expansion. These are also observed with lower intensity when the laser is on. Other observed features confirm that some CF₃I molecules undergo fragmentation when the laser is on to yield fragments that subsequently recombine to form new chemical species. Such transitions are not observed unless the laser is on. The most

intense transitions in this category assign to the diatomic molecules, AgI, AgF and IF, which can themselves bind to other molecules to form complexes. Transitions of $\text{OC}\cdots\text{AgI}$, indicated in Figure 2(d), recently allowed characterisation of the geometry of this complex for the first time [Ref. 40]. Other experiments by our group have focussed on the complexes formed between H_2S , C_2H_2 or C_2H_4 and MX (where M is either Cu or Ag and X is Cl or I).^{43,44,45} As with previous studies that exploited Balle-Flygare FTMW spectrometers, these experiments involved the selection of precursors appropriate to the generation of a chemical product that was specifically targeted for study in advance.

A number of groups have performed similar experiments using CP-FTMW spectrometers to study products generated through either laser vaporisation or electrical discharge in recent years. The first example of a CP-FTMW spectrometer configured with a laser ablation source for the generation of metal-containing molecules was described by Grubbs *et al.* in 2007.¹⁸ It was shown that the opportunity to record transition intensities accurately reflecting the transition dipole matrix elements is of considerable value in challenging tasks of spectral assignment. The pure rotational spectrum of SnCl was assigned despite the challenge presented by the open-shell electronic structure of this molecule.⁴⁶ A laser vaporisation source has also been used to transfer biological molecules into the gas phase for study by CP-FTMW spectroscopy.³⁰ It is usually desirable to suppress biomolecule fragmentation and/or chemical reactions that yield other products so it is not necessarily favourable to generate plasma during such experiments.

A major advantage of CP-FTMW spectroscopy is the greatly-enhanced opportunity to assign the spectra of novel molecules and complexes that are not amongst the molecular targets initially selected for a study. Novel molecular complexes may be readily identified even where their presence is not anticipated and where accurate predictions of transition frequencies are not available beforehand. An example arises from recent experiments that characterised the geometry of the $\text{C}_2\text{H}_2\cdots\text{AgCCH}$ complex.⁴⁷ Natural samples of many common metals, including silver, are comprised of more than one naturally-abundant isotope leading to distinctive and characteristic patterns of transitions in spectra. Such distinctive patterns are of considerable value in facilitating the assignment of spectra whose molecular carriers are initially unknown and unpredicted. The patterns arising from

nuclear quadrupole coupling can serve a similar purpose. Transitions of $C_2H_2\cdots AgCCH$ were observed in patterns consistent with assignment to an asymmetric top of C_{2v} geometry that contains a silver atom (assigned on the basis of the observed spectra of different isotopologues) very close to the centre of mass. These were initially suspected as assigning to the $C_2H_2\cdots AgF$ complex that had initially been selected as the target of the study. However, subsequent examination of the rotational constants confirmed that the spectrum must instead assign to $C_2H_2\cdots AgCCH$. The results of this experiment illustrate how the opportunity to survey the entire 12 GHz bandwidth of the spectrometer in a single measurement provides greatly enhanced opportunities to detect and analyse unexpected chemical products that lie outside the initial aims of a study.

It is not always easy to predict which chemical products are likely to result when a mixture of precursors passes through plasma generated by a laser vaporisation or electrical discharge. As a consequence, CP-FTMW spectroscopy provides a new opportunity to identify species that have not been observed before. Different strategies can be adopted. It is possible for the researcher to gain greater insight into the broader chemical environment within the plasma itself. This possibility is explored further below.

2. *Screening of Products of Reactions and Fragmentation in Plasma by Broadband Rotational Spectroscopy*

As previously noted, the BF- and CP-FTMW designs are complimentary, but the CP-FTMW design is particularly well suited for broadband survey spectra that are performed without reference to initial assumptions about the probed species. Its broadband capability allows easier adjustment and optimisation of sample conditions when the molecular carrier(s) of rotational transitions is/are initially unknown. This capability is quite important for astrochemical applications as many radio astronomy survey spectra⁴⁸ overlap with the frequency coverage of many laboratory-based CP-FTMW spectrometers. The coupling of broadband rotational spectroscopy techniques with broadband spectral surveys from radio astronomy has thus aided in analysing the complex mixtures present in both.

A pulsed DC discharge source can be easily fitted to both cavity-based and broadband FTMW spectrometers. Furthermore, discharge sources have shown utility in producing novel species of astrochemical interest, such as long chain unsaturated alkynes.^{49,50} Pulsed discharge nozzles have also been used to study molecular ions and radicals^{51,52,53,54} which were subsequently identified in the interstellar medium (ISM). Additionally, pulsed discharge nozzles have successfully created high energy isomers of molecules, whether they be conformational, like the recently detected *trans* isomer of methyl formate^{55,56} towards Sagittarius B2(N), or structural isomers like HSCN⁵⁷, a higher energy form of HNCS, also towards Sagittarius B2(N).

CP-FTMW spectrometers have been used to characterise the rich chemistry produced by these pulsed discharge nozzles. The measurement concept of the reaction screening experiments is similar to the previously mentioned Urey-Miller experiments. An abundant interstellar molecule, or combination of molecules, is subjected to the reactive conditions of the discharge source. Many of the species present can be immediately identified if they have been previously recorded. Astrochemical databases such as Splatalogue⁵⁸ and CDMS⁵⁹ are continuously being developed to make this process as efficient as possible. For species not catalogued in the databases, one method for focusing in on high priority unidentified targets is to directly compare broadband laboratory datasets with the publically available GBT PRIMOS radio astronomy survey spectra of Sagittarius B2(N).⁴⁸

Chemistry initiated by a discharge source and studied within the laboratory tends to yield transitions that overlap in frequency with unassigned transitions in the PRIMOS survey. Two examples of this are the E- and Z- isomers of ethanimine (CH_3CHNH)⁶⁰, shown in Figure 3, and E-isomer of cyanomethanimine (HNCHCN)⁶¹ via discharges of CH_3CN and $\text{CH}_3\text{CN} + \text{NH}_3$, respectively. The former was previously suggested as a possible interstellar molecule after the detection of methanimine (CH_2NH)⁶² but their spectra were not catalogued and thus eluded detection. Frequency-coincident bands in the two spectra shown in Figure 3 provided confirmation that ethanimine is present in the interstellar medium. The detection of ethanimine has proven quite fortunate, as the related nitriles – HCN, CH_2NH , and $\text{NH}_2\text{CH}_2\text{CN}$ – have all been identified in the ISM⁶³, and have been shown experimentally to participate in a modified Strecker route to produce the

simplest amino acid, glycine.⁶⁴ The detection of ethanimine suggests a similar route to the production of alanine. Likewise, cyanomethanimine, which is widely considered to be a key intermediate in the possible prebiotic formation of adenine,^{65,66,67} was also not included in the catalogues. This synthetic route typically requires the condensation, or oligomerisation, of five HCN units,^{68,69,70,71} however, the discharge chemistry suggests a possible radical formation route to the first species, cyanomethanimine, also known as the HCN dimer. Adenine is one of the two purine nucleobases, and its prebiotic formation may play a critical role in the RNA-world scenario for the formation of life on Earth.⁷²

Due to its utility, the broadband reaction screening technique has also seen success in other areas. Using this technique, two new molecules were recently detected⁷³ – HSiNSi and H_3SiNSi after a discharge of mixtures containing silane and either nitrogen or ammonia. Prior to the reaction screening measurements, neither species had been the interest of experimental or theoretical studies. It turns out that these species may be important intermediates, via reactions with the SiN radical,⁷⁴ in chemical vapour deposition (CVD) techniques used to grow films.^{75,76,77,78,79} A similar study investigated the dissociation products of 2,3-dihydrofuran (2,3-DHF).⁸⁰ The unbiased nature of the broadband screening identified 7 distinct chemical products formed as a result of the electrical discharge, as well as conformational isomers of many of the species. One of the most interesting aspects of the study was the observation of formaldehyde. Formaldehyde was proposed to be a side product of 2,3-DHF ring-opening,^{81,82} the other product being propyne which was also observed. The study further speculated that the excess energy from the discharge could cause propyne to dissociate to vinylidencarbene (C_3H_2), the rearrangement of which could then explain the detection of cyclopropenylidene ($\text{c-C}_3\text{H}_2$).

The above results highlight the value of broadband spectral surveys performed without preconceived notions, with regards to experiment or theory, of what to expect. This measurement technique is especially powerful when combined with plasma chemistry, where the reaction products may not necessarily be easy to predict.

3. Rapid Detection and Measurement of Pure Rotational Spectra of Molecules in Vibrationally-Excited States

The ability to perform rapid survey spectra allows rotational transitions associated with many different vibrational states to be recorded simultaneously. Vibrational states of SnS between $v=0$ and $v=6$ (inclusive) were observed during a study by Grubbs *et al.*⁸³ Recent experiments by our group allow the assignment of pure rotational spectra of InI in vibrational states between $v=0$ and $v=4$ (Figure 4). Similar advantages were realised during measurements of pure rotational spectra of All between $v=0$ and $v=14$; SnI between $v=0$ and $v=8$; and PbI between $v=0$ and $v=6$.⁸⁴ The patterns observed in broadband rotational spectra are highly distinctive. It is possible to obtain accurate models of potential energy surfaces⁸⁵ from parameters determined for different vibrational states through pure rotational spectroscopy. In respect of such studies, the principal advantage conferred by broadband instruments arises from the speed with which spectroscopic transitions can be identified, assigned and measured. The reduction in the time necessary to perform measurements increases the likelihood that data from pure rotational spectroscopy will be more frequently used for accurate modelling of potential energy surfaces in the future.

Conclusions

Plasma is the state of matter found abundantly in stars. It is the result of transient, intermittent events such as lightning strikes or meteor impacts in the terrestrial environment and is thus often regarded as an “exotic” state. Commercially, the production of materials by chemical vapour deposition is assisted by plasma chemistry. It is thus important to experimentally-characterise chemistry initiated or mediated by plasma but this is challenging because of the high temperatures involved and the transient nature of intermediates. Spectroscopy has been shown to allow the sensitive detection of a wide range of chemical species by remote methods.^{86,87,88}

The experiments described herein illustrate that broadband rotational spectroscopy presents new opportunities to follow chemical reactions and allows the products of plasma chemistry to be identified. Chemistry initiated by either an electrical discharge or laser vaporisation of a solid material has been the focus of this article. There have been several other, recent applications of broadband rotational spectroscopy to study chemical products generated at high temperatures and these have involved initiation by pyrolysis. Kidwell *et al.*⁸⁹ recently studied cyclopentadienone, C₅H₄O, generated through flash pyrolysis and probed by broadband rotational spectroscopy. Isotopologues containing ¹³C were studied in natural abundance allowing a detailed exploration of the molecular structure. A recent Perspective article by Prozument *et al.*¹⁴ describes the application of broadband rotational spectroscopy to monitor both the range of chemical products formed following pyrolysis and energy partitioning between different vibrational states. The result is a much more extensive and complete perspective on the chemistry of pyrolysis than was available previously.

New insights into the chemistry occurring in extreme environments will clearly emerge from broadband rotational spectroscopy. The chances that a novel spectrum can be identified following chemical reactions initiated at a high temperature are enhanced by broadband methods. It is not always necessary or useful to select a single “target” molecule for study in advance of experiments. Whilst broadband rotational spectroscopy is restricted to the study of molecules possessing a non-zero electric dipole moment, it can be anticipated that other current constraints will be overcome. The significant challenge associated with the assignment of spectra to their correct molecular carriers will be reduced by greater understanding of the chemistry in plasma environments. The sensitivity of CP-FTMW spectroscopy is directly connected with the speed of digitisers in component instruments and this can be expected to increase over the next 10 years. Finally, computational tools allowing the efficient deconvolution, assignment and analysis of complex spectra are under development. Evidently, broadband rotational spectroscopy will become increasingly useful as a tool for the exploration of plasma chemistry.

ACKNOWLEDGMENTS

The authors thank the European Research Council for postdoctoral fellowships awarded to D.P.Z., S.L.S. and for project funding (CPFTMW-307000). D.P.Z. also thanks Newcastle University for the award of a Faculty of SAgE Research Fellowship. The authors also thank the EPSRC for the award of Research Grant No. EP/G026424/1 in support of various experiments reviewed here.

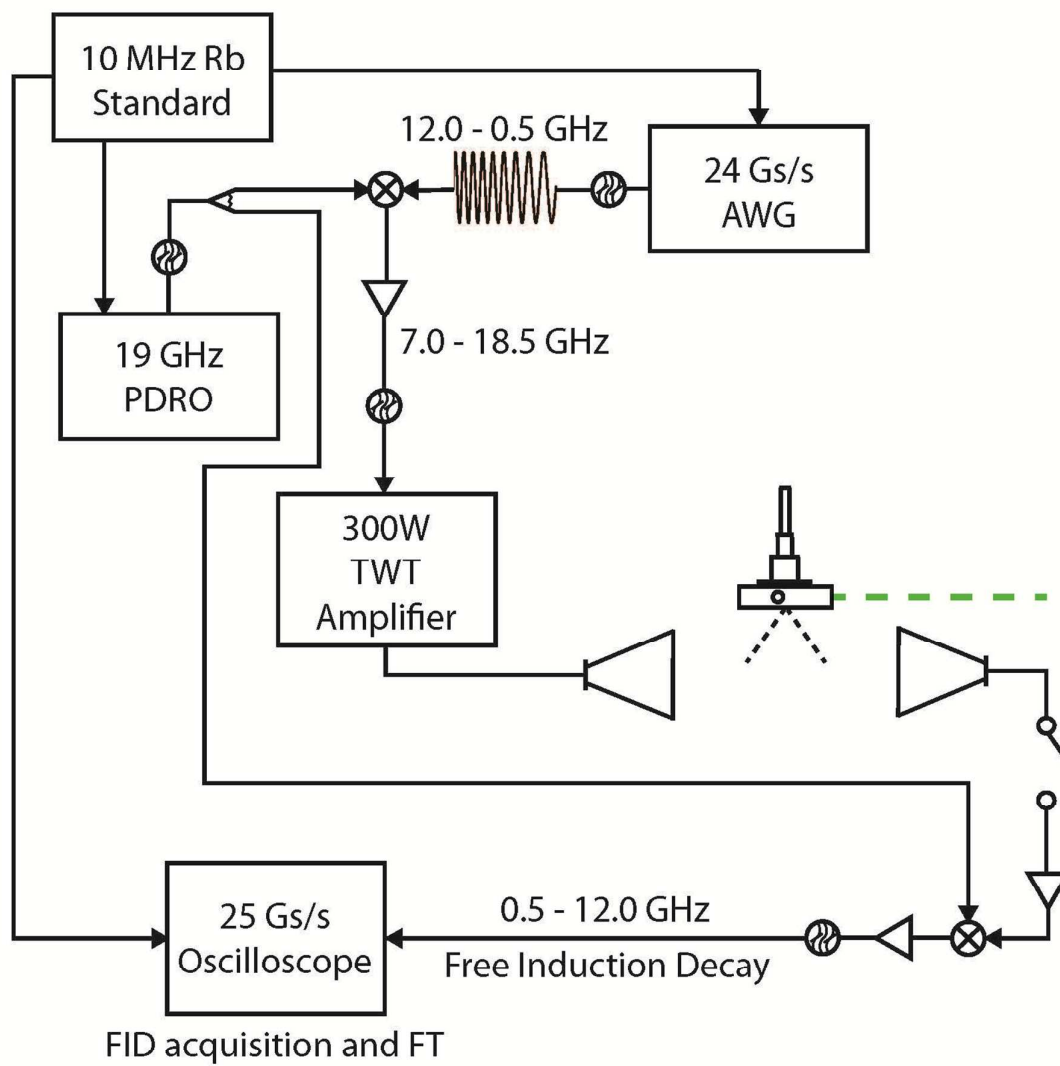


Figure 1. Schematic of the Newcastle CP-FTMW spectrometer. The green dashed line represents the laser beam path.

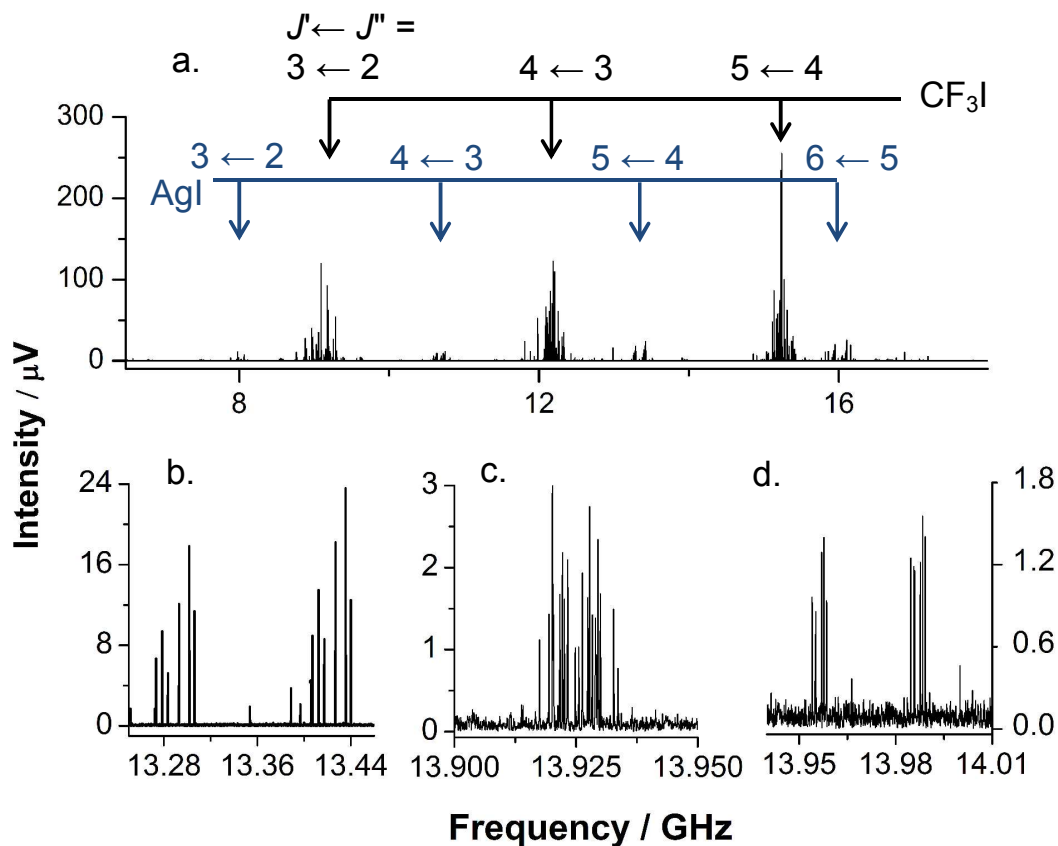


Figure 2. Data originally reported in Ref. [40] and resulting from averaging 146k FIDs (5 hours of real time). (a) Broadband spectrum obtained when probing sample containing small percentages of CF_3I , CO and Ag in 98% argon. (b) ($\times 12$) magnification of the intensity axis reveals spectrum of AgI . (c) and (d) ($\times 100$) magnifications of the intensity axis reveal the spectra of $\text{CF}_3\text{I} \cdots \text{CO}$ and $\text{OC} \cdots \text{AgI}$ respectively.

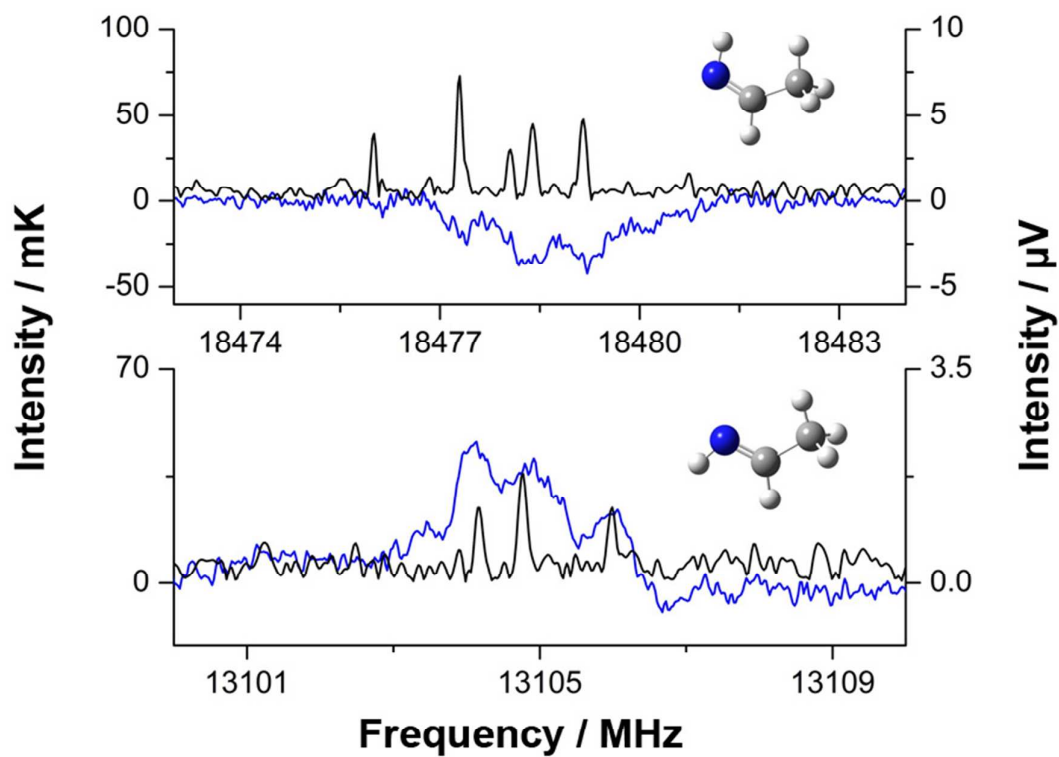


Figure 3. The black trace is the 6.5-20 GHz chirped-pulse spectrum of a 2 kV DC discharge of acetonitrile (laboratory intensity on the right). The blue trace is the GBT PRIMOS survey (intensity on the left). The data for this figure was taken from Ref. [60].

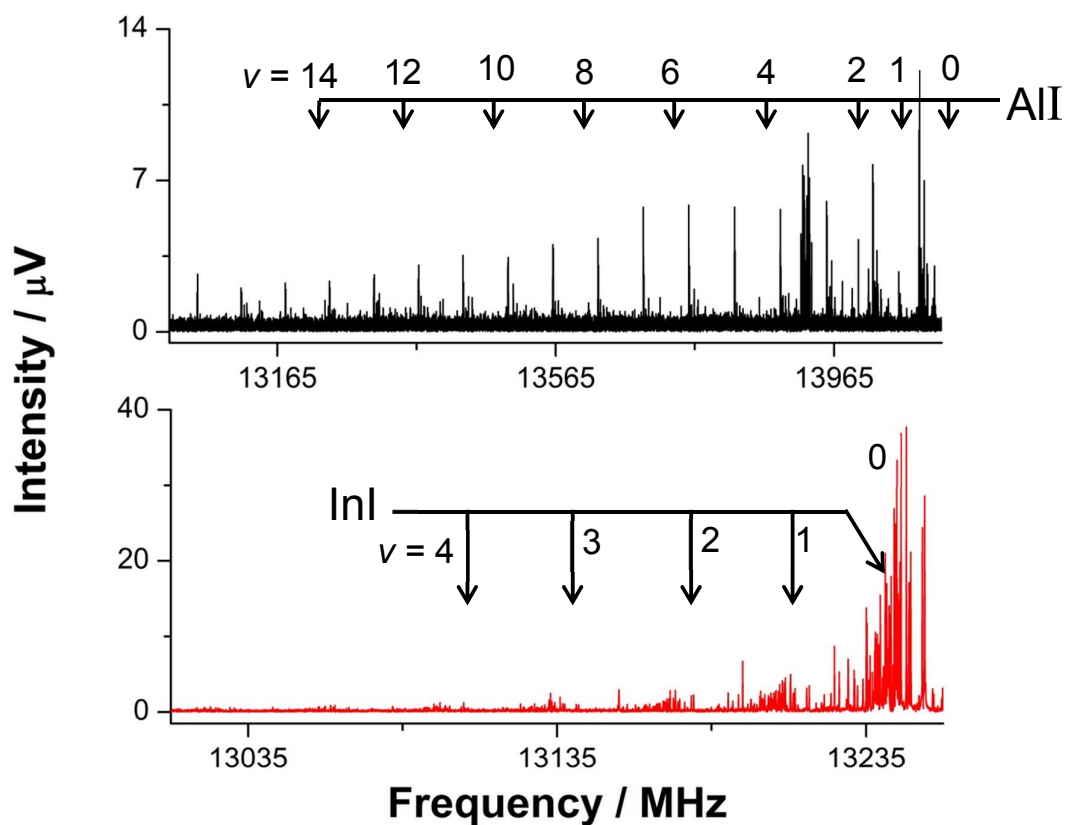


Figure 4. (top) Broadband spectrum obtained by probing an expanding sample containing small percentages of CF_3I , CO, Al and 98% argon. Average of 259k FIDs (9 hours in real time). The $J' \leftarrow J'' = 3 \leftarrow 2$ rotational transition is observed for vibrational states between $v = 0$ and 14. (bottom) Broadband spectrum obtained by probing an expanding sample containing small percentages of CH_3I , CO, In and 97% argon. Averaged over 88k FIDs (3 hours in real time). The $J' \leftarrow J'' = 6 \leftarrow 5$ rotational transition is displayed for vibrational states between $v = 0$ and 4.

REFERENCES

- ¹ D. G. Scroggin, J. M. Riveros, E. B. Wilson, Jr., *J. Chem. Phys.*, 1974, **60**, 1376.
- ² E. B. Wilson, Jr., *Chem. Soc. Rev.*, 1972, **1**, 293.
- ³ R. G. Ford, R. A. Beaudet, *J. Chem. Phys.*, 1971, **55**, 3110.
- ⁴ R. W. Kilb, C. C. Lin, E. B. Wilson, Jr., *J. Chem. Phys.*, 1957, **26**, 1695.
- ⁵ E. B. Wilson, Jr., *Proc. Natl. Acad. Sci USA.*, 1957, **43**, 816.
- ⁶ T. J. Balle, W. H. Flygare, *Rev. Sci. Instrum.*, 1981, **52**, 33.
- ⁷ G. Columberg, A. Bauder, *J. Chem. Phys.*, 1997, **106**, 504.
- ⁸ L. W. Buxton, E. J. Campbell, W. H. Flygare, *Chem. Phys.*, 1981, **56**, 399.
- ⁹ G. T. Fraser, K. R. Leopold, D. D. Nelson, Jr., A. Tung, W. Klemperer, *J. Chem. Phys.*, 1984, **80**, 3073.
- ¹⁰ G. G. Brown, B. C. Dian, K. O. Douglass, S. M. Geyer, S. T. Shipman, and B. H. Pate, *Rev. Sci. Instrum.*, 2008, **79**, 053103.
- ¹¹ M. Schnell, *Z. Phys. Chem.*, 2013, **227**, 1.
- ¹² A. L. Steber, B. J. Harris, J. L. Neill, B. H. Pate, *J. Mol. Spectrosc.*, 2012, **280**, 3.
- ¹³ J. L. Neill, B. J. Harris, A. L. Steber, K. O. Douglass, D. F. Plusquellic, and B. H. Pate, *Optics Express*, 2013, **21**, 19743.
- ¹⁴ K. Prozument, G. B. Park, R. G. Shaver, A. K. Vasiliou, J. M. Oldham, D. E. David, J. S. Muentner, J. F. Stanton, A. G. Suits, G. B. Ellison, and R. W. Field, *Phys. Chem. Chem. Phys.*, 2014, **16**, 15739.
- ¹⁵ D. P. Zaleski, J. L. Neill, M. T. Muckle, N. A. Seifert, P. B. Carroll, S. L. Widicus Weaver, and B. H. Pate, *J. Mol. Spectrosc.* 2012, **280**, 68.
- ¹⁶ S. L. Stephens, N. R. Walker, *J. Mol. Spectrosc.*, 2010, **263**, 27.
- ¹⁷ C. Pérez, S. Lobsiger, N. A. Seifert, D. P. Zaleski, B. H. Pate, Z. Kisiel, B. Temelso, and G. C. Shields, *Chem. Phys. Lett.*, 2013, **571**, 1.
- ¹⁸ G. S. Grubbs, C. T. Dewberry, K. C. Etchison, K. E. Kerr, S. A. Cooke, *Rev. Sci. Instrum.*, 2007, **78**, 096106.
- ¹⁹ D. A. Obenchain, A. A. Elliot, A. L. Steber, R. A. Peebles, S. A. Peebles, C. J. Wurrey, G. A. Guirgis, *J. Mol. Spectrosc.*, 2010, **261**, 3.
- ²⁰ M. C. McCarthy, W. Chen, M. J. Travers, and P. Thaddeus, *Astrophys J. Suppl. Ser.*, 2000, **129**, 611.
- ²¹ C. Pérez, S. Mata, S. Blanco, J. C. López, J. L. Alonso, *J. Phys. Chem. A.*, 2011, **115**, 9653.
- ²² S. L. Miller, *Science*, 1953, **117**, 528.
- ²³ S. L. Miller, H. C. Urey, *Science*, 1959, **130**, 245.
- ²⁴ F. Bloch, *Phys. Rev.*, 1946, **70**, 460.
- ²⁵ S. J. Henley, J. D. Carey, S. R. P. Silva, G. M. Fuge, M. N. R. Ashfold, D. Anglos, *Phys. Rev. B*, 2005, **72**, 205413.
- ²⁶ N. A. Seifert, D. P. Zaleski, C. Pérez, J. L. Neill, B. H. Pate, M. Vallejo-López, A. Lessarri, E. J. Cocinero, F. Castaño, I. Kleiner, *Angew. Chem. Int. Ed.*, 2014, **53**, 3210.
- ²⁷ N. A. Seifert, A. L. Steber, J. L. Neill, C. Pérez, D. P. Zaleski, B. H. Pate, A. Lesarri, *Phys. Chem. Chem. Phys.*, 2013, **15**, 11468.
- ²⁸ J. A. Kroll, S. T. Shipman, S. L. Widicus Weaver, *J. Mol. Spectrosc.*, 2014, **295**, 52.
- ²⁹ H. V. L. Nguyen, I. Kleiner, S. T. Shipman, Y. Mae, K. Hirose, S. Hatanaka, K. Kobayashi, *J. Mol. Spectrosc.*, 2014, **299**, 17.
- ³⁰ S. Mata, I. Peña, C. Cabezas, J. C. López, J. L. Alonso, *J. Mol. Spectrosc.*, 2012, **280**, 91.
- ³¹ T. D. Jaeger, D. van Heijnsbergen, S. J. Klippenstein, G. von Helden, G. Meijer, M. A. Duncan, *J. Am. Chem. Soc.*, 2004, **126**, 10981.
- ³² A. Thoma, B. E. Wurfel, R. Schlachta, G. M. Lask, *J. Phys. Chem.*, 1992, **96**, 7231.
- ³³ H. Phillips, S. Kubodera, R. Sauerbrey, F. K. Tittel, P. J. Wisoff, *IEEE J. Quant. Electron.*, 1991, **27**, 95.
- ³⁴ M. A. Buntine, D. C. McGlivery, R. J. S. Morrison, *J. Mass Spectrom.*, 1991, **26**, 195.
- ³⁵ Kristine D. Hensel, Christian Styger, Wolfgang Jäger, A. J. Merer, and M. C. L. Gerry, *J. Chem. Phys.*, **99**, 3320 (1993)
- ³⁶ S. G. Batten, A. C. Legon, *Chem. Phys. Lett.*, 2006, **422**, 192.
- ³⁷ K. A. Walker and M. C. L. Gerry, *J. Mol. Spectrosc.*, 1997, **182**, 178.
- ³⁸ V. A. Mikhailov, F. J. Roberts, S. L. Stephens, S. J. Harris, D. P. Tew, J. N. Harvey, N. R. Walker, A. C. Legon, *J. Chem. Phys.*, 2011, **134**, 134305.
- ³⁹ S. L. Stephens, D. P. Tew, N. R. Walker, A. C. Legon, *J. Mol. Spectrosc.*, 2011, **267**, 163.
- ⁴⁰ S. L. Stephens, W. Mizukami, D. P. Tew, N. R. Walker, A. C. Legon, *J. Chem. Phys.*, 2012, **136**, 064306.
- ⁴¹ S. G. Batten, A. G. Ward, A. C. Legon, *J. Mol. Spectrosc.*, 2006, 780-781, 300.
- ⁴² S. L. Stephens, N. R. Walker, A. C. Legon, *J. Chem. Phys.*, 2011, **135**, 224309.

- ⁴³ S. Z. Riaz, S. L. Stephens, W. Mizukami, D. P. Tew, N. R. Walker, A. C. Legon, *Chem. Phys. Lett.*, 2012, **531**, 1.
- ⁴⁴ S. L. Stephens, D. M. Bittner, V. A. Mikhailov, W. Mizukami, D. P. Tew, N. R. Walker, A. C. Legon, *Inorg. Chem.*, 2014, **53**, 10722.
- ⁴⁵ S. L. Stephens, D. P. Tew, N. R. Walker, A. C. Legon, *J. Chem. Phys.*, 2011, **135**, 224309.
- ⁴⁶ G. S. Grubbs, D. J. Frohman, S. E. Novick, S. A. Cooke, *J. Mol. Spectrosc.*, 2012, **280**, 85.
- ⁴⁷ S. L. Stephens, D. P. Zaleski, W. Mizukami, D. P. Tew, N. R. Walker, A. C. Legon, *J. Chem. Phys.*, 2014, **140**, 124310.
- ⁴⁸ J. M. Hollis, A. J. Remijan, P. R. Jewell, F. J. Lovas, GBT PRIMOS, <http://www.cv.nrao.edu/~aremijan/PRIMOS/>.
- ⁴⁹ M. Guélin, J. Cernicharo, M. J. Travers, M. C. McCarthy, C. A. Gottlieb, P. Thaddeus, M. Ohishi, S. Saito, and S. Yamamoto, *Astron. Astrophys.*, 1997, **317**, L1.
- ⁵⁰ M. J. Travers, M. C. McCarthy, P. Kalmus, C. A. Gottlieb, and P. Thaddeus, *Astrophys. J.*, 1996, **469**, L65.
- ⁵¹ Y. Ohshima, Y. Endo, *Chem. Phys. Lett.*, 1996, **256**, 635.
- ⁵² C. A. Gottlieb, A. J. Apponi, M. C. McCarthy, P. Thaddeus, *J. Chem. Phys.*, 2000, **113**, 1910.
- ⁵³ S. Brünken, H. Gupta, C. A. Gottlieb, M. C. McCarthy, P. Thaddeus, *Astrophys. J.*, 2007, **644**, L43.
- ⁵⁴ M. C. McCarthy, P. Thaddeus, J. J. Wilke, H. F. Schaefer III, *J. Chem. Phys.*, 2009, **130**, 234304.
- ⁵⁵ J. L. Neill, A. L. Steber, M. T. Muckle, D. P. Zaleski, V. Lattanzi, S. Spezzano, M. C. McCarthy, A. J. Remijan, D. N. Friedel, S. L. Widicus Weaver, B. H. Pate, *J. Phys. Chem. A*, 2011, **115**, 6472.
- ⁵⁶ J. L. Neill, M. T. Muckle, D. P. Zaleski, A. L. Steber, B. H. Pate, V. Lattanzi, S. Spezzano, M. C. McCarthy, A. J. Remijan, *Astrophys. J.*, 2012, **755**, 153.
- ⁵⁷ D. T. Halfen, L. M. Ziurys, M. C. McCarthy, C. A. Gottlieb, P. Thaddeus, *Astrophys. J.*, 2009, **702**, L124. www.splatalogue.net
- ⁵⁸ CDMS: H. S. P. Müller, F. Schlöder, J. Stutzki, and G. Winnewisser, *J. Mol. Struct.*, 2005, **742**, 215.
- ⁶⁰ R. A. Loomis, D. P. Zaleski, A. L. Steber, J. L. Neill, M. T. Muckle, B. J. Harris, J. M. Hollis, P. R. Jewell, V. Lattanzi, F. J. Lovas, O. Martinez, Jr., M. C. McCarthy, A. J. Remijan, B. H. Pate, and J. F. Corby, *Astrophys. J.*, 2013, **765**, L9.
- ⁶¹ D. P. Zaleski, N. A. Seifert, A. L. Steber, M. T. Muckle, R. A. Loomis, J. F. Corby, O. Martinez, Jr., K. N. Crabtree, P. R. Jewell, J. M. Hollis, F. J. Lovas, D. Vasquez, J. Nyiramahirwe, N. Sciortino, K. Johnson, M. C. McCarthy, A. J. Remijan, and B. H. Pate, *Astrophys. J.*, 2013, **765**, L10.
- ⁶² P. D. Godfrey, R. D. Brown, B. J. Robinson, M. W. Sinclair, *Astrophys. J.*, 1973, **13**, L119.
- ⁶³ M. C. McCarthy, P. Thaddeus, *Chem. Soc. Rev.*, 2001, **30**, 177.
- ⁶⁴ J. E. Elsila, J. P. Dworkin, M. P. Bernstein, M. P. Martin, S. A. Sandford, *Astrophys. J.*, 2007, **660**, 911.
- ⁶⁵ J. Oró, *Nature*, 1961, **191**, 1193.
- ⁶⁶ J. P. Ferris, L. E. Orgel, *J. Am. Chem. Soc.*, 1966, **88**, 1074.
- ⁶⁷ J. P. Ferris, P. C. Joshi, E. H. Edelson, and J. G. Lawless, *J. Mol. Evol.*, 1978, **11**, 293.
- ⁶⁸ R. Sanchez, J. P. Ferris, L. E. Orgel, *Science*, 1966, **153**, 72.
- ⁶⁹ A. W. Schwartz, H. Joosten, and A. B. Voet, *BioSystems*, 1982, **15**, 191.
- ⁷⁰ E. Borquez, H. J. Cleaves, A. Lazcano, and S. L. Miller, *Orig. Life Evol. Biosph.*, 2005, **35**, 79.
- ⁷¹ D. Roy, K. Najafian, and P. von Ragué Schleyer, *Proc. Natl. Acad. Sci USA.*, 2007, **104**, 17272.
- ⁷² W. Gilbert, *Nature*, 1986, **319**, 618.
- ⁷³ K. N. Crabtree, O. Martinez, Jr., M. C. McCarthy, *J. Phys. Chem. A*, 2014, **117**, 11282.
- ⁷⁴ D. S. N. Parker, A. V. Wilson, R. I. Kaiser, T. Labrador, A. M. Mebel, *J. Am. Chem. Soc.*, 2012, **134**, 13896.
- ⁷⁵ K. J. Yacoubi, *Electrochem. Soc.*, 1999, **146**, 3009.
- ⁷⁶ S-W. Hu, Y. Wang, X-Y. Wang, T-W. Chu, X-Q. Liu, *J. Phys. Chem. A*, 2003, **107**, 9189.
- ⁷⁷ S. Koseki, A. J. Ishitani, *Appl. Phys.*, 1992, **72**, 5808.
- ⁷⁸ H. E. O'Neal, M. Ring, J. G. Martin, M. T. Navio, *J. Phys. Chem. A*, 1998, **102**, 8493.
- ⁷⁹ A. A. Bagatur'yants, K. P. Novoselov, A. A. Safonov, J. Vernon Cole, M. Stoker, A. Korokin, *A. Surf. Sci.*, 2001, **486**, 213.
- ⁸⁰ C. Karunatlaka, A. J. Shirar, G. L. Storck, K. M. Hotopp, E. B. Biddle, R. Crawley, Jr., B. C. Dian, *J. Phys. Chem. Lett.*, 2010, **1**, 1547.
- ⁸¹ A. Lifshitz, M. Bidani, *J. Phys. Chem.*, 1989, **93**, 1139.
- ⁸² A. Burcat, *Fuel*, 1975, **54**, 87.
- ⁸³ G. S. Grubbs, S. A. Cooke, *J. Mol. Spectrosc.*, 2010, **259**, 120.
- ⁸⁴ H-J. Kockert, D. P. Zaleski, S. L. Stephens, L-M. Dickens, C. J. Evans, N. R. Walker, (unpublished work).
- ⁸⁵ N. S. Dattani, L. N. Zack, M. Sun, E. R. Johnson, R. J. Le Roy, L. M. Ziurys, (unpublished work).
- ⁸⁶ J. Liu, J. Dai, S. L. Chin, X-C. Zhang, *Nature Photon.*, 2010, **4**, 627.
- ⁸⁷ D. K. Killinger, N. Menyuk, *Science*, 1987, **235**, 37.
- ⁸⁸ D. Stramski, R. A. Reynolds, M. Kahru, B. G. Mitchell, *Science*, 1999, **285**, 239.

⁸⁹ N. M. Kidwell, V. Vaquero-Vara, T. K. Ormond, G. T. Buckingham, D. Zhang, D. N. Mehta-Hurt, L. McCaslin, M. R. Nimlos, J. W. Daily, B. C. Dian, J. F. Stanton, G. B. Ellison, and T. S. Zwier, *J. Chem. Phys. Lett.*, 2014, **5**, 2201.